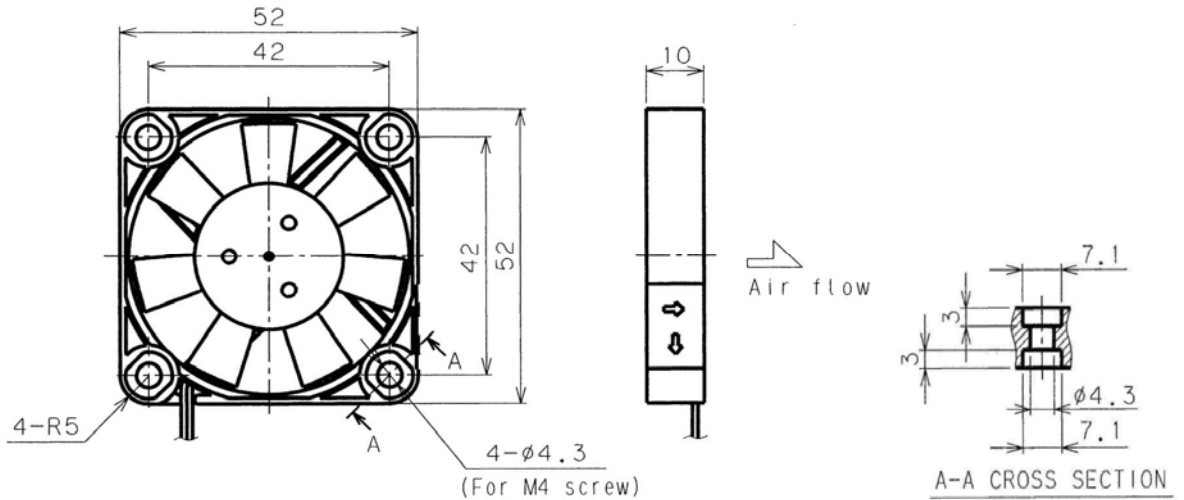


# SEPA / NIPPON KEIKI WORKS, LTD

## Axial Fan MF52E

### ■ Shapes & dimensions



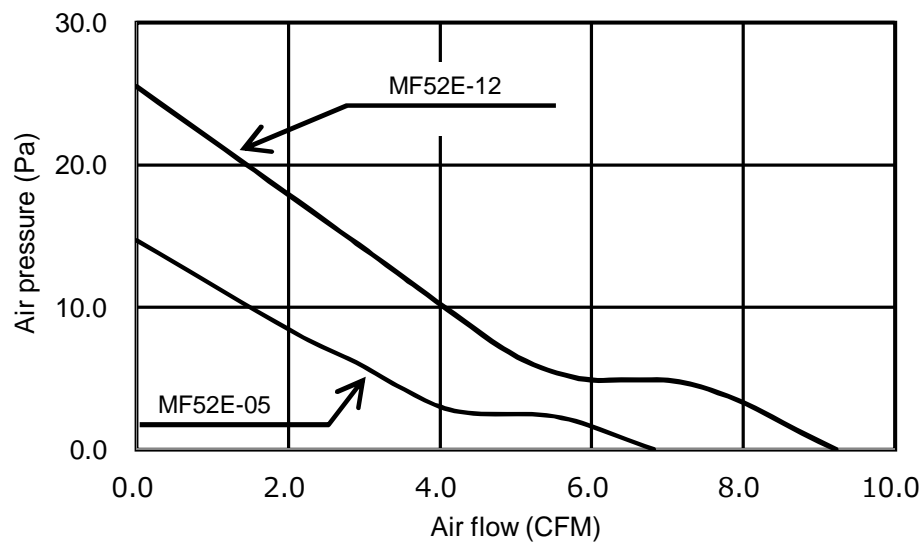
### ■ Performance

(Ta=25°C)

Model Type	MF52E-05	MF52E-12
Dimensions [mm]	52x52x10	52x52x10
Rated voltage [V]	5	12
Rated current [A]	0.05	0.06
Max. air flow [CFM]	6.82	9.22
[m <sup>3</sup> /min]	0.193	0.261
Max. air pressure [Pa]	14.7	25.5
Noise level(typ.) [dBA] at 1m	13	22
Speed (typ.) [rpm]	3,200	4,300

Note: (\*) Measured at 1m from the side of the fan.

Air flow vs. pressure characteristic



● The specifications are subject to change without notice due to continual improvements.